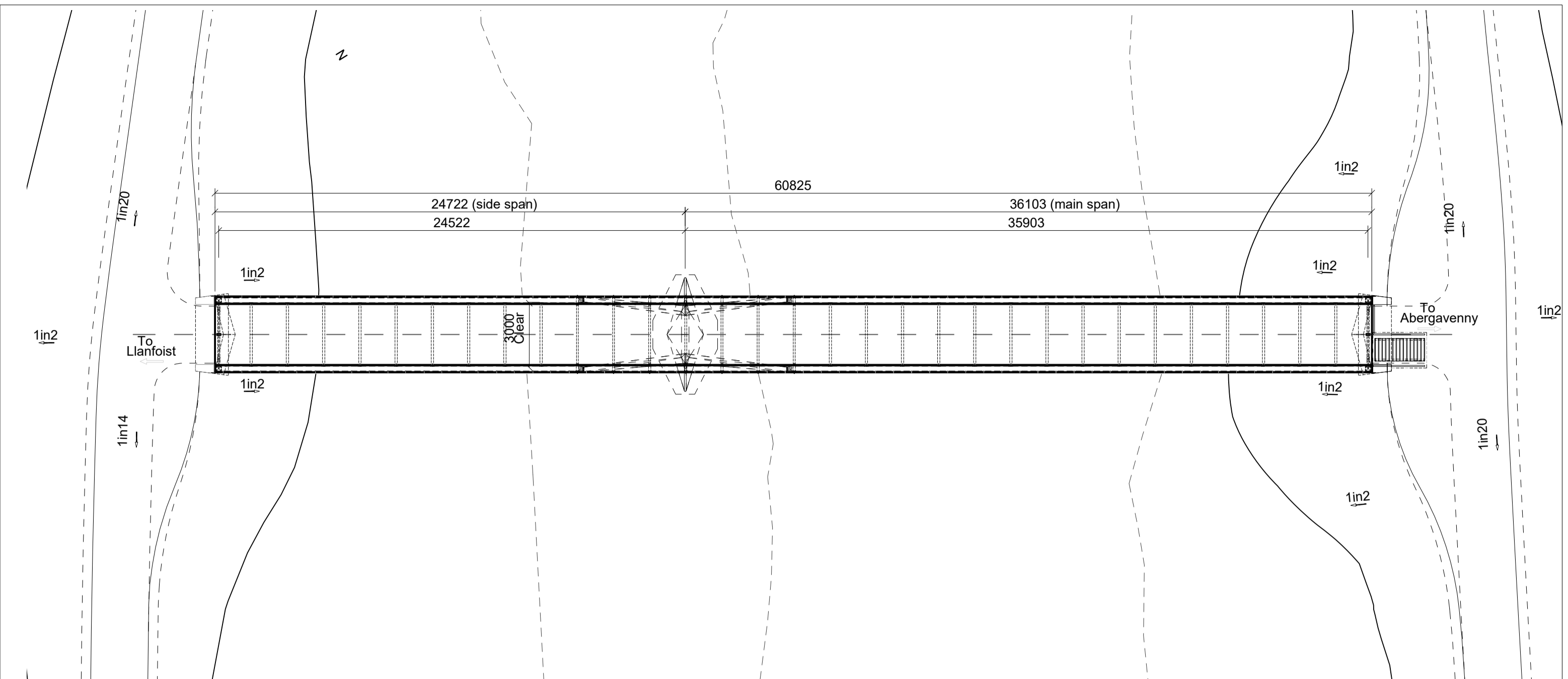
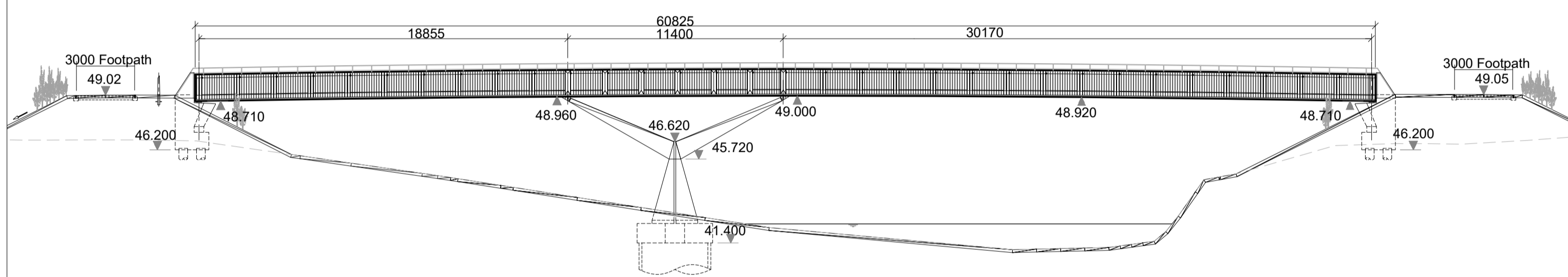


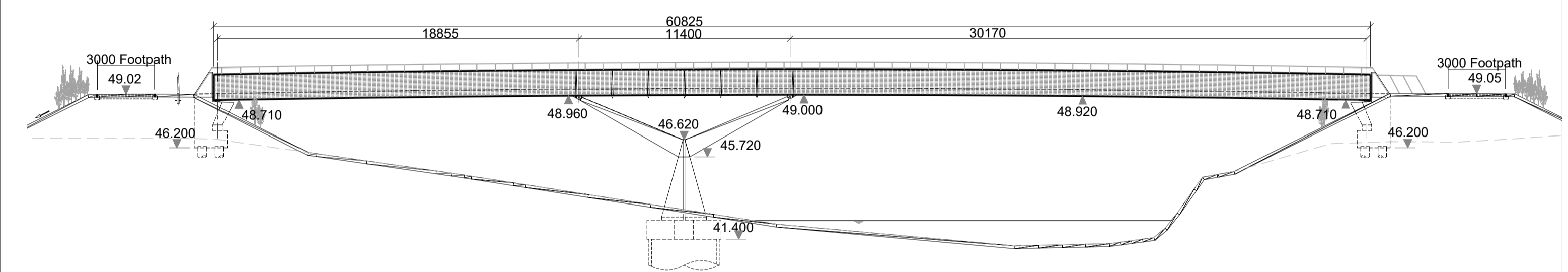
FOOTBRIDGE PLAN
Scale 1:200



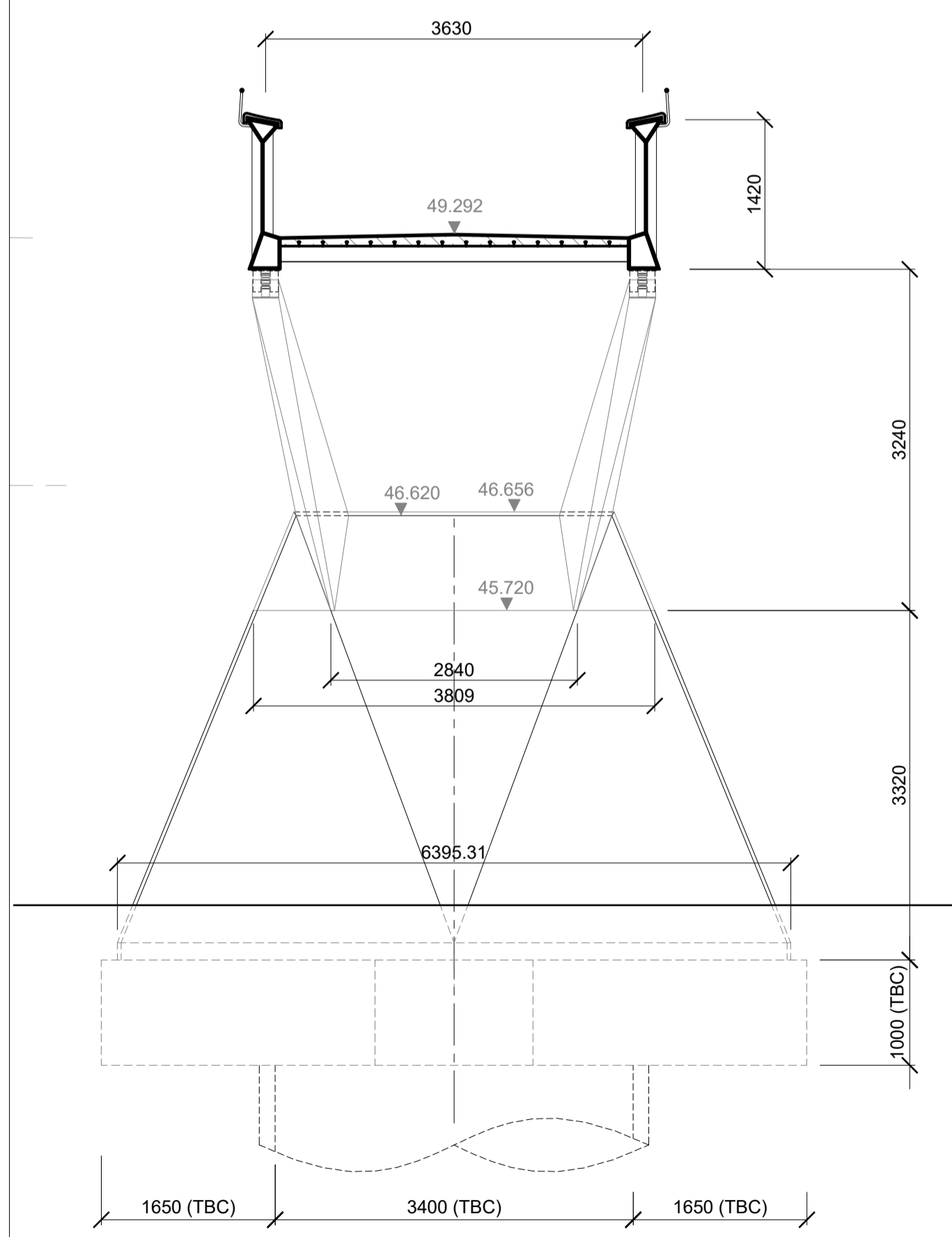
FOOTBRIDGE PLAN
Scale 1:200



DOWNSTREAM ELEVATION ON FOOTBRIDGE
Scale 1:200

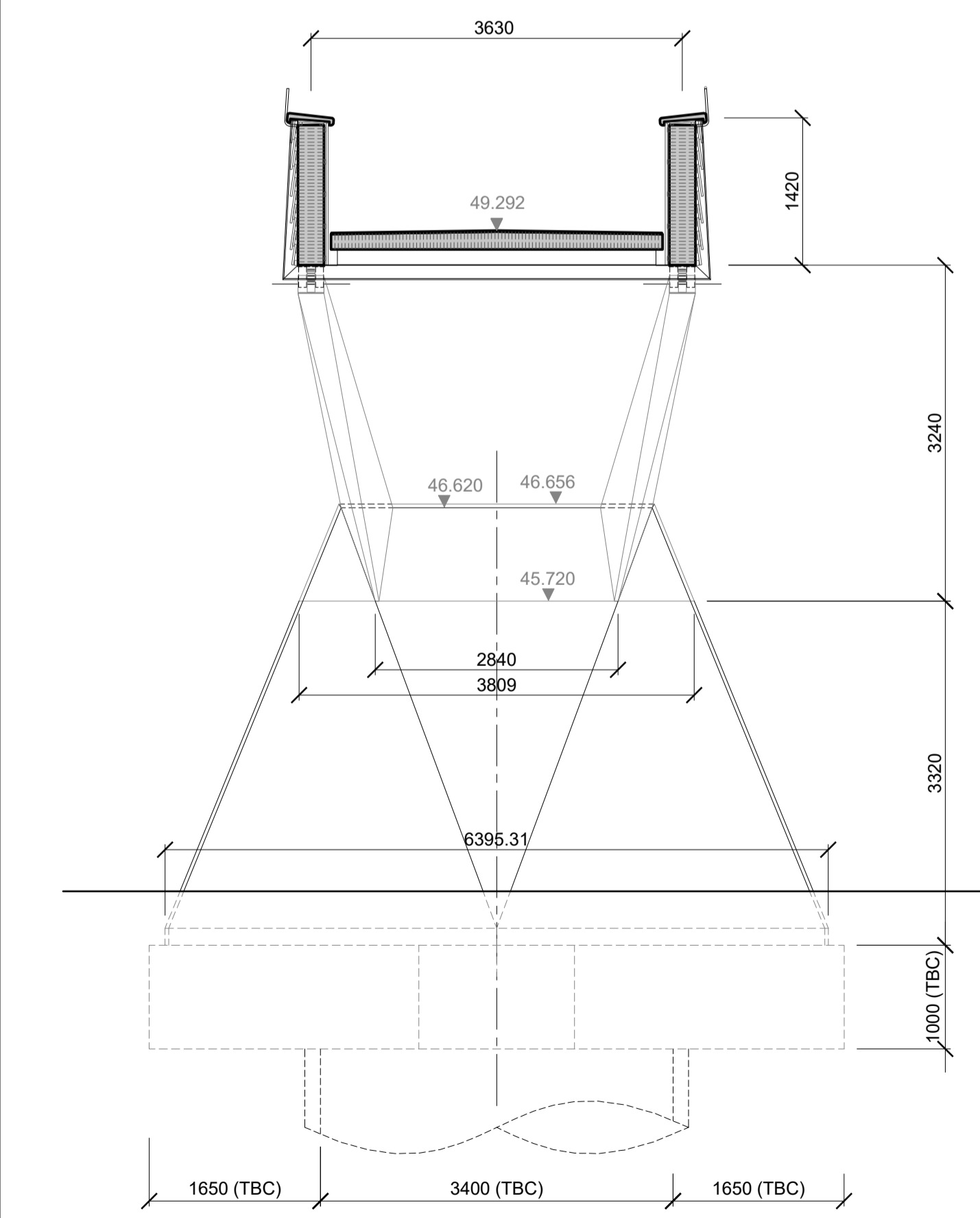


DOWNSTREAM ELEVATION ON FOOTBRIDGE
Scale 1:200



Steel Vierendeel Beam Option
(Proposed alternative option)

ELEVATION ON SOUTH SIDE OF PIER
Scale 1:50



Timber Structure Bridge Option
(Design submitted to planning application)

ELEVATION ON SOUTH SIDE OF PIER
Scale 1:50

Rev:	Date:	Comments:
01	08/04/2025	Gate removed for steel vierendeel beam option

Architect: **Knight Architects**
The Generator
20 Wharfedale Road
London
N1 9RY
United Kingdom
+44 (0)20 3978 1555
www.knightarchitects.co.uk

Engineer:
1 Capital Quarter
Tyndall St, Cardiff,
CF10 4BZ
United Kingdom

wsp
T+ 44 (0) 292 076 9200
WSP.COM

Client:
monmouthshire
COUNTY COUNCIL
sir fynyw

Not for Construction
DO NOT SCALE FROM DRAWING
© Copyright Knight Architects Limited 2024

Title:
Comparison of
the two options
Scale:
1:100 @ A1
Date:
28.01.2025

Project:
Llanfoist to Abergavenny Footbridge
Steel Vierendeel Beam option
Number:
KA0109 - Llanfoist

Rev:
01